

## 内置自适应同步升压和防破音功能的6.5W D类及AB类音频功率放大器

### 6.5W Boosted Class D and Class AB Audio Amplifier

#### ■ FEATURES

- Anti-Clipping Function (ACF)
  - Filter-less Modulation, Eliminating Output Filter
  - Output Power
- 3W ( $V_{BAT}=3.3V$ ,  $R_L=4\Omega$ ,  $THD+N<1\%$ , 20-20kHz full band)
- 6.5W ( $V_{BAT}=4.2V$ ,  $R_L=2\Omega$ ,  $THD+N=10\%$ ,  $f=1kHz$ )- Efficiency: 83% ( $V_{BAT} = 4.2V$ ,  $f = 1kHz$ , Load = 4ohm+22uH,  $P_o = 0.6W$ )

79% ( $V_{BAT} = 4.2V$ ,  $f = 1kHz$ , Load = 4ohm+22uH,  $P_o = 4W$ )- Power Supply  $V_{BAT}$ : 2.7V~5.5V
- Adaptive Sync Boost Converter
  - Extends the playing time in battery supply applications
  - Adjustable switch peak current limit to avoid over-pulling on battery current
- Class AB / Class D
- Over Current Protection, Thermal Protection, Low voltage malfunction prevention function included
- Pb-Free Packages, SSOP10L-PP
  - 防削顶失真功能(防破音, Anti-Clipping Function, ACF)
  - 免滤波器数字调制, 直接驱动扬声器
  - 输出功率

3W ( $V_{BAT}=3.3V$ ,  $R_L=4\Omega$ ,  $THD+N<1\%$ , 20-20kHz full band)

6.5W ( $V_{BAT}=4.2V$ ,  $R_L=2\Omega$ ,  $THD+N=10\%$ ,  $f=1kHz$ )- 效率: 83% ( $V_{BAT} = 4.2V$ ,  $f = 1kHz$ , Load = 4ohm+22uH,  $P_o = 0.6W$ )

79% ( $V_{BAT} = 4.2V$ ,  $f = 1kHz$ , Load = 4ohm+22uH,  $P_o = 4W$ )- $V_{BAT}$ 供电范围: 2.7V至5.5V
- 高效自适应同步升压功能
  - 延长电池播放时间
  - 可调节最大限流值, 有效防止电池拉死
- AB/D类可切换
- 保护功能:过流/过热/欠压异常保护功能
- 无铅封装, SSOP10L-PP

#### ■ APPLICATIONS

- Bluetooth/Wi-Fi Speakers
- Portable Speakers
- Smart speakers
- Smart Home
- 蓝牙/ Wi-Fi音箱
- 便携式音箱
- 智能音箱
- 智能家居

## ■ DESCRIPTION

HT8513, integrated with adaptive sync boost converter, is a mono Class D audio amplifier that drives up to continuous 3W (<1% THD+N, 20-20kHz full band) into 4ohm speaker and 6.5W (10% THD+N, 1kHz) into 2ohm speaker from a Li-battery voltage. It also integrates Class AB amplifier.

The built-in sync boost converter generates a supply voltage of 6.2V for the audio amplifier. The boost converter is adaptive and is automatically active only when the peak output audio signal exceeds a preset voltage threshold, which is optimized to prevent clipping while maximizing system efficiency.

HT8513 features Anti-Clipping Function (ACF) which detects output signal clip due to the over input signal and suppresses the output signal clip automatically. Also, the ACF function can adapt the output clip caused by power supply voltage down with battery. It can significantly improve the sound quality, creating a very comfortable musical enjoyment, and to protect the speakers from overload damage.

Class AB amplifier mode is also available for HT8513. Once the EMI Interference from class D and Boost Converter becomes an annoying problem, HT8513 can be changed into Class AB mode.

HT8513 has a filter-less modulation circuit which directly drives speakers while realizes low distortion and low noise characteristics. Thanks to filter-less, circuit design with fewer external parts can be made in portable applications.

As for protection function, over current protection function for speaker output terminals, over temperature protection function are also prepared.

HT8513是一款内置自适应同步升压的单声道D类音频功率放大器，由锂电池供电时，THD+N<1%、20-20kHz全频段信号条件下，能连续输出3W功率（4Ω负载），THD+N=10%、1kHz信号下，能连续输出6.5W功率（2Ω负载）；另外，其还支持AB类模式。

HT8513内置的同步升压，提供6.2V输出电压给功放。其小音乐信号时不升压，仅当功率较大时，才升压给D类功放，其可大幅提高系统效率，延长电池续航时间。

HT8513的最大特点是防削顶失真（ACF）输出控制功能，可检测并抑制由于输入音乐、语音信号幅度过大所引起的输出信号削顶失真（破音），也能自适应地防止在BOOST升压电压下降所造成的输出削顶，显著提高音质，创造非常舒适的听音享受，并保护扬声器免受过载损坏。

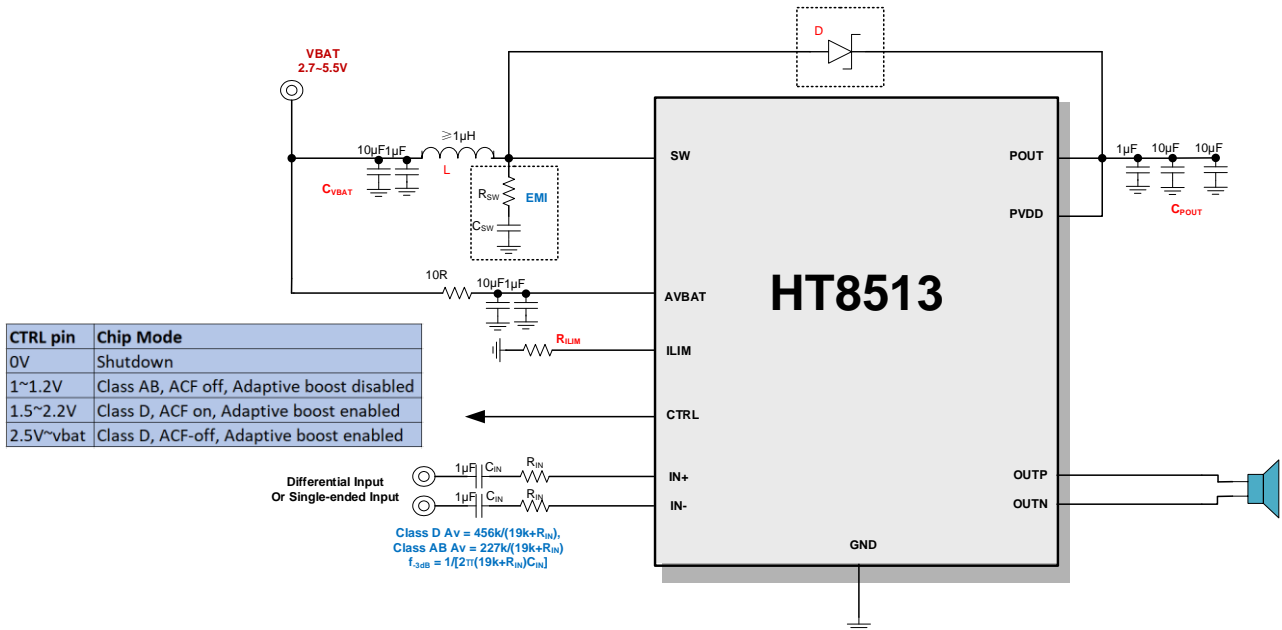
HT8513具有AB类和D类的自由切换功能，在受到D类功放EMI干扰困扰时，可随时切换至AB类音频功放模式。

HT8513内部集成免滤波器数字调制技术，能够直接驱动扬声器，并最大程度减小脉冲输出信号的失真和噪音。输出无需滤波网络，极少的外部元器件节省了系统空间和成本，是便携式应用的理想选择。

此外，HT8513集成了输出端过流保护、片内过温保护等功能。

### TYPICAL APPLICATION

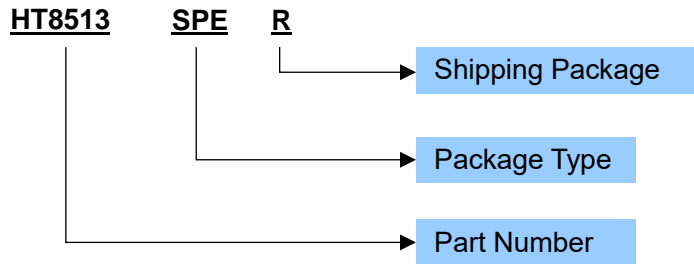
Typical Application	$R_{ILIM}$	$I_{PEAK}$	$L$	$D$	$C_{BAT}$	$C_{POUT}$
2ohm Load	82k	4.5A	4.7uH	SS32	1uF//10uF//100uF	1uF//10uF//470uF
3ohm Load	82k	4.5A	4.7uH	SS32	1uF//10uF//100uF	1uF//10uF//470uF
4ohm Load, $P_o > 3W$ , THD+N > 1%	82k-100k	3.5-3.8A	1uH-4.7uH	SS32	1uF//10uF	1uF//10uF//220uF
4ohm Load, $P_o \leq 3W$ , THD+N < 1%	110k	3.5A	1uH	NC	1uF//10uF	1uF//10uF//10uF
8ohm Load	200k	2.2A	1uH	NC	1uF//10uF	1uF//10uF



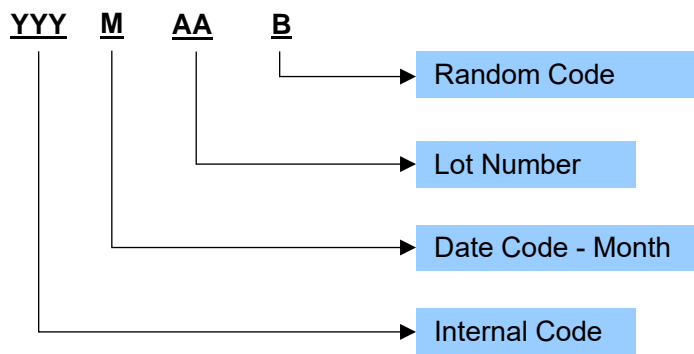
**ORDERING INFORMATION**

Ordering Number	Package Type	Marking	Operating Temperature Range	Shipping Package / MOQ
HT8513SPE	SSOP10L-PP(SPE)	HT8513SP YYYMAAB <sup>1</sup>	-40℃~85℃	Tape and Reel (R) / 2500pcs

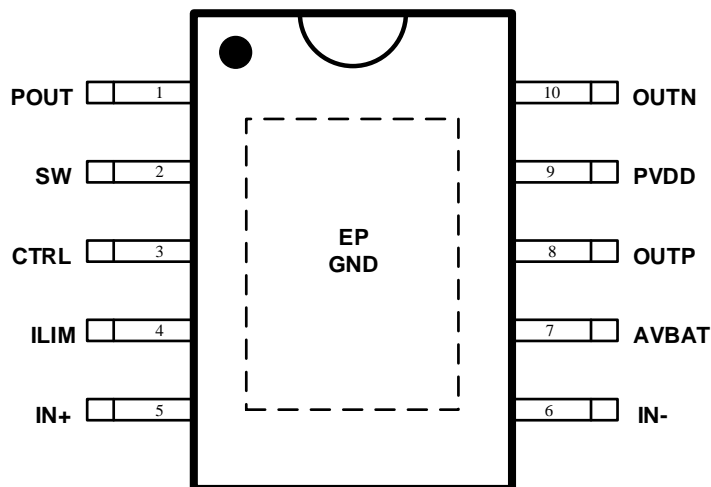
**Ordering Number**



**Production Tracking Code**



<sup>1</sup> YYYMAAB is production tracking code

**■ TERMINAL CONFIGURATION**


SSOP10L-PP(SPE) Top View

**■ TERMINAL FUNCTION**

Terminal No.	Name	I/O <sup>1</sup>	Description
1	POUT	P	Boosted output voltage. 升压输出端
2	SW	I	Boost and rectifying switch input. 升压整流开关输入端
3	CTRL	I	Mode Control Terminal. 模式控制脚
4	ILIM	I	Adjustable switch peak current limit. An external resistor should be connected between this pin and GND. 最大限流值设置端，外部接电阻到地。
5	IN+	I	Positive input (differential+) for audio amplifier. 输入负端
6	IN-	I	Negative input (differential-) for audio amplifier. 输入正端
7	AVBAT	P	Power supply for internal analog circuitry. 模拟电源端
8	OUTP	O	Positive pin for differential speaker amplifier. 输出正端
9	PVDD	P	Power supply for internal power circuitry. 功率电源
10	OUTN	O	Negative pin for differential speaker amplifier. 输出负端
EP	GND	G	Ground for power circuitry, and Thermal Pad. A matching ground pad should be provided on the PCB and the device connected to it via solder. 地。

<sup>1</sup> I: Input; O: Output; G: Ground; P: Power;

**IMPORTANT NOTICE****注意**

Jiaxing Heroic Electronic Technology Co., Ltd (HT) reserves the right to make corrections, modifications, enhancements, improvements, and other changes to its products and services at any time and to discontinue any products or services. Customers should obtain the latest relevant information before placing orders and should verify that such information is current and complete.

嘉兴禾润电子科技有限公司（以下简称HT）保留对产品、服务、文档的任何修改、更正、提高、改善和其他改变，或停止提供任何产品和服务的权利。客户在下单和生产前应确保所得到的信息是最新、最完整的。

HT assumes no liability for applications assistance or customer product design. Customers are responsible for their products and applications using HT components.

HT对相关应用的说明和协助以及客户产品的板级设计不承担任何责任。

HT products are not authorized for use in safety-critical applications (such as life support devices or systems) where a failure of the HT product would reasonably be expected to affect the safety or effectiveness of that devices or systems.

HT的产品并未授权用于诸如生命维持设备等安全性极高的应用中。

The information included herein is believed to be accurate and reliable. However, HT assumes no responsibility for its use; nor for any infringement of patents or other rights of third parties which may result from its use.

本文中的相关信息是精确和可靠的，但HT并不对其负责，也不对任何可能的专利和第三方权利的侵害负责。

Following are URLs and contacts where you can obtain information or supports on any HT products and application solutions:

下面是可以联系到我公司的相关链接和联系方式：

**嘉兴禾润电子科技有限公司****Jiaxing Heroic Electronic Technology Co., Ltd.**

地址：浙江省嘉兴市凌公塘路3339号JRC大厦A座三层

Add: A 3rd floor, JRC Building, No. 3339, LingGongTang Road, Jiaxing, Zhejiang Province

Sales: 0573-82585539, sales@heroic.com.cn

Support: 0573-82586151, support@heroic.com.cn

Fax: 0573-82585078

Website: www.heroic.com.cn; wap.heroic.com.cn

Wechat MP: HEROIC\_JX

请及时关注禾润官方微信公众号，随时获取最新产品信息和技术资料！

